

| | | |
|---------|----------|---------|
| PROJECT | QUANTITY | ITEM NO |
|---------|----------|---------|

FlexFusion™ combi oven

Platinum Series



FPE 121 Electric
FPG 121 Gas
PowerAdvantage



Henny Penny FlexFusion combi ovens combine different cooking methods into one piece of equipment with the flexibility to cook nearly everything on your menu to perfection.

The FlexFusion combi incorporates a powerful yet highly energy-efficient boilerless steam generation system that instantly adds or eliminates the precise amount of moisture needed to maintain desired cooking conditions... all while saving more energy and water than ever through an improved heat exchange design.

What really sets FlexFusion apart is its ease of use. The Platinum Series features Chef'sTouch, an intuitive control system with a durable 7-inch touch/swipe screen that makes cooking with FlexFusion as easy as using a smart phone! Just tap the app for everything from cook-

Chef'sTouch control: Just tap and swipe to run automated cooking and operating apps

Popular FlexFusion built-in Apps:

- **PerfectHold**—Automatically switches to Hold when done cooking
- **TimeToServe**—Tells you when to load different items so they are all done at the same time
- **FamilyMix**—Shows which items can be cooked together
- **GreenInside**—Displays energy and water use for each cooking program
- **CombiDoctor**—Runs system self-diagnostics and displays results



and-hold to cleaning and troubleshooting.

FlexFusion FPE 121 earns the ENERGY STAR® mark for energy efficiency. Core temperature probe and USB port are standard. Removable tilt-resistant rails accept 2/1 GN pans or 2 full-size steam table pans crosswise, or full-size sheet pans on wire shelves.

Standard Features

- Chef'sTouch™ Control System for Automatic or easy manual cooking
 - Durable 7-inch high resolution capacitive touch screen
 - Full-color touch/swipe display
 - Create and select from up to 350 custom cooking programs of 20 steps each
 - Select and use apps for cooking, serving convenience, cleaning, diagnostics and more
 - Use ClimaSelect Plus to set and maintain humidity levels at 10% increments from 0% to 100% RH
 - Adjust individual settings before or during cooking
 - Core temperature probe
 - Temperature in °F or °C
 - Choose language for operations and service diagnostics
- 10-level removable pan rack with tilt-resistant rails
- Lengthwise racking accepts 2/1 GN and full-size sheet pans
- DynaSteam2 precision boilerless steam generation with built-in energy-saving heat transfer
- 5-speed auto-reverse fan for fast, even cooking throughout the cabinet
- Powerful high-efficiency motor uses up to 15% less energy
- Electric units earn the ENERGY STAR® mark for energy efficiency
- Improved WaveClean® self-cleaning system uses 36% less water
- Retractable spray hose for quick, easy rinsing of interior
- Filterless grease extraction
- 316S11 stainless steel interior cabinet with coved corners
- 1 mm stainless steel exterior
- Full perimeter door seal
- Energy efficient triple-pane glass
- Delayed start and preheat/cool down button
- USB port for convenient download of programs, diagnostic messages or HACCP data

Options, accessories*

- Multi-point temperature probe
- Barcode scanning app
- Stands and cabinets
- Stacking kit
- Chicken grids
- Alternate voltages

*See separate accessories data sheets for details

| | | |
|-----------------------------------|--|-----------------------------------|
| <input type="checkbox"/> APPROVED | <input type="checkbox"/> APPROVED AS NOTED | <input type="checkbox"/> RESUBMIT |
| AUTHORIZED SIGNATURE | | DATE |

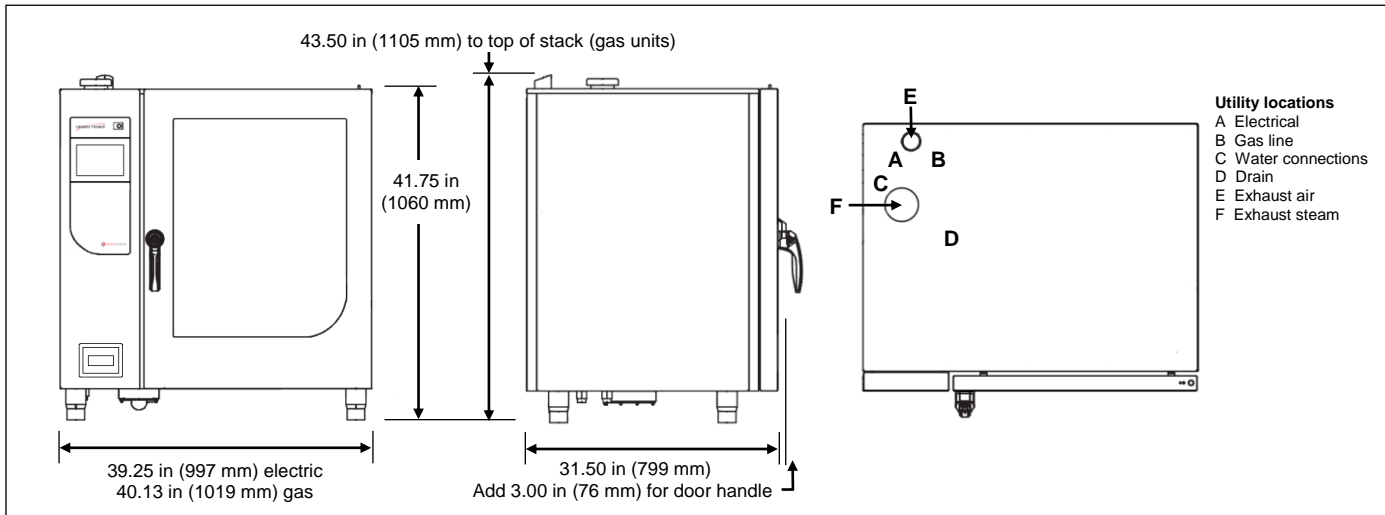


| | |
|---------|---------|
| PROJECT | ITEM NO |
|---------|---------|

FlexFusion™ combi oven

Platinum Series

FPE 121 Electric
FPG 121 Gas
PowerAdvantage



Dimensions

| | |
|--------|-----------------------------|
| Height | 41.75 in (1060 mm) electric |
| | 43.50 in (1105 mm) gas |
| Width | 39.25 in (997 mm) electric |
| | 40.13 in (1019 mm) gas |
| Depth | 31.50 in (799 mm) |

Crated

| | |
|--------|--|
| Length | 43 in (1080 mm) |
| Depth | 38 in (960 mm) |
| Height | 51 in (1280 mm) |
| Volume | 48 ft ³ (1.3 m ³) |
| Weight | 430 lb (195 kg) |

Required clearances

| | |
|-------|----------------------------------|
| Left | 20 in (500 mm) service access |
| Right | 2 in (50 mm) air flow |
| Back | 2 in (50 mm) air flow, utilities |
| Front | 28 in (700 mm) door open |

Electrical

| Volts | Phase | Hertz | kW | Amps | Wire |
|-------|-------|-------|------|------|------|
| 208 | 3 | 60 | 27.5 | 76.3 | 3+G |
| 240 | 3 | 60 | 36.5 | 87.8 | 3+G |
| 400 | 3 | 50/60 | 31.2 | 45.0 | 3NG |

for gas units

| | | | | | |
|-----|---|-------|-----|-----|-----|
| 120 | 1 | 60 | 0.8 | 3.9 | 1NG |
| 230 | 1 | 50/60 | 0.8 | 2.0 | 1NG |

Laboratory certifications



Heat (see also Cooking mode profiles)

| | |
|----------|--|
| Electric | Max temperature 572°F (300°C) |
| Gas | 0.75 in gas line NPT external thread 89,000 BTU/hr or 26 kW/hr Max temperature 482°F (250°C) |

Water

| |
|--|
| 0.75 in standard cold water connection |
| 0.75 in soft water connection |
| 2.0 in (50 mm) drain |

Capacity

- 10 full-size sheet pans 18 x 26 in (460 x 660 mm) lengthwise on wire shelves
- 20 full-size 2.5 in (65 mm) steam table pans crosswise, 2 per rail
- 6 standard 6-chicken grids crosswise, 2 per rail, 36 chickens per load

Cooking mode profiles

| | |
|---------------------------------|--|
| Steaming/moist heat | 86-266°F (30-130°C) Low and high temperature steaming |
| Convection cooking/dry heat | 86-572°F (30-300°C) electric 86-482°F (30-250°C) gas Active humidity reduction |
| Combination/dry + moist heat | 86-482°F (30-250°C) Manual or automatic humidity control between 0 and 100% RH |
| Rethermalizing/dry + moist heat | 86-356°F (30-180°C) Special fan speed function, banqueting programs |

Bidding specifications

Provide Henny Penny FlexFusion Platinum Series FPE 121 electric or FPG 121 gas combi oven, that cooks with steaming/moist heat, convection/dry heat, or a combination of dry and moist heat, and holding up to 10 full-size sheet pans or 20 full-size steam table pans crosswise on removable tilt-resistant rails.

Unit shall incorporate:

- Chef's Touch Control System featuring protected full-color capacitive touch screen with automatic and manual cooking capability, ClimaSelect Plus humidity control and designated pre-loaded apps
- Boilerless DynaSteam2 Technology with precise humidity generation and heat exchange
- Variable speed, auto reverse fan that moves air in alternating directions for more even heating
- Unit earns the ENERGY STAR® mark
- Automated WaveClean® self-cleaning system
- Seamless stainless steel cooking chamber, full-perimeter door seal and triple-pane glass for energy efficiency
- Cabinet interior: 316S11 stainless steel
cabinet exterior: 1 mm stainless steel

Continuing product improvement may subject specifications to change without notice.

24 Hour Technical Support:
Henny Penny Technical Service
800 417.8405
technicalservices@hennypenny.com

Henny Penny Corporation
PO Box 60 Eaton OH 45320 USA
+1 937 456.8400 800 417.8417
+1 937 456.8434 Fax 800 417.8434 Fax
www.hennypenny.com

HENNY PENNY
Engineered to Last